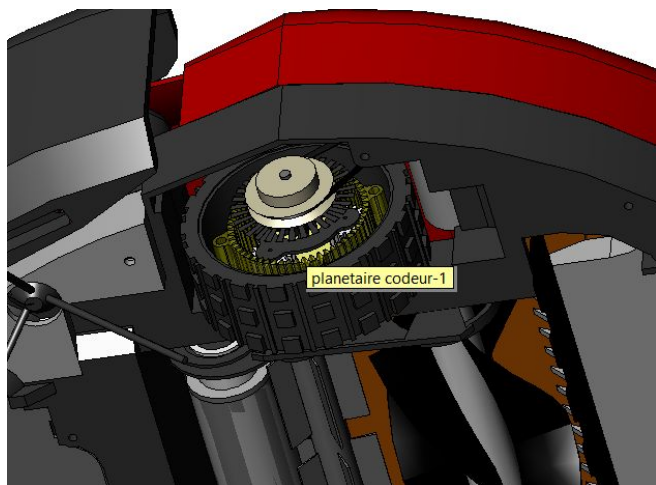
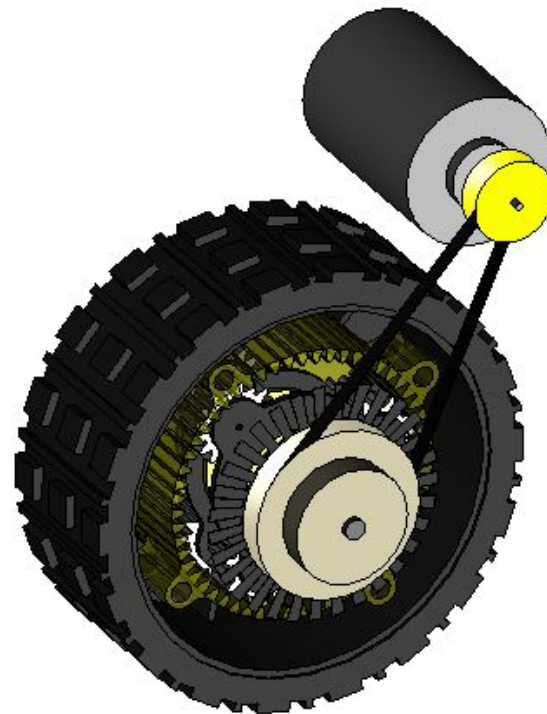


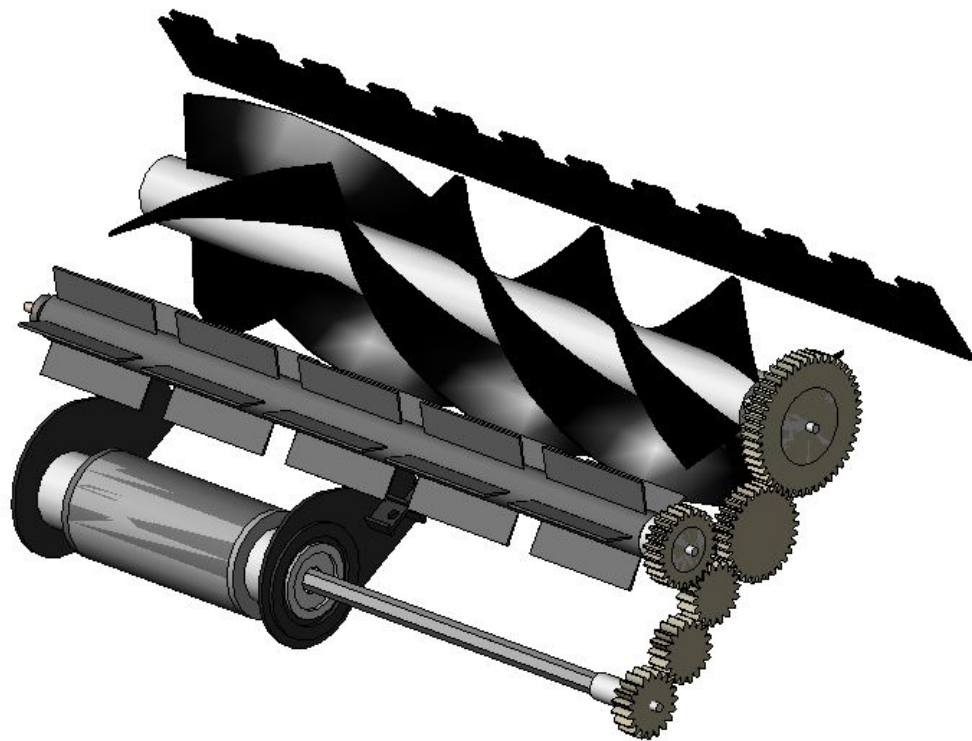
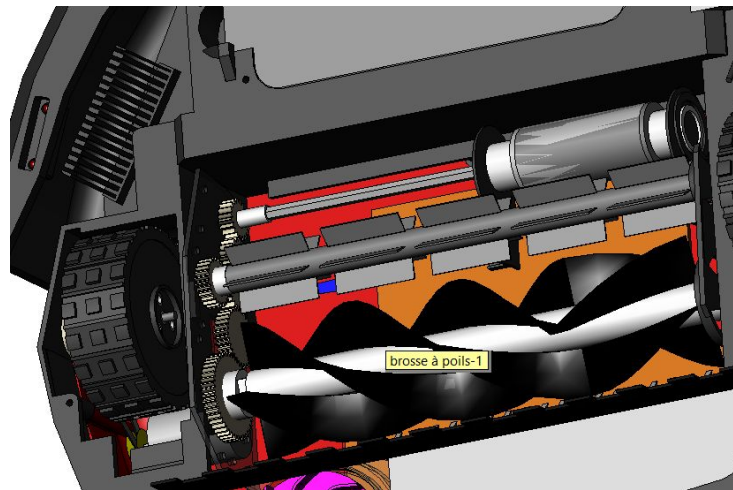
Bilan



FONCTION

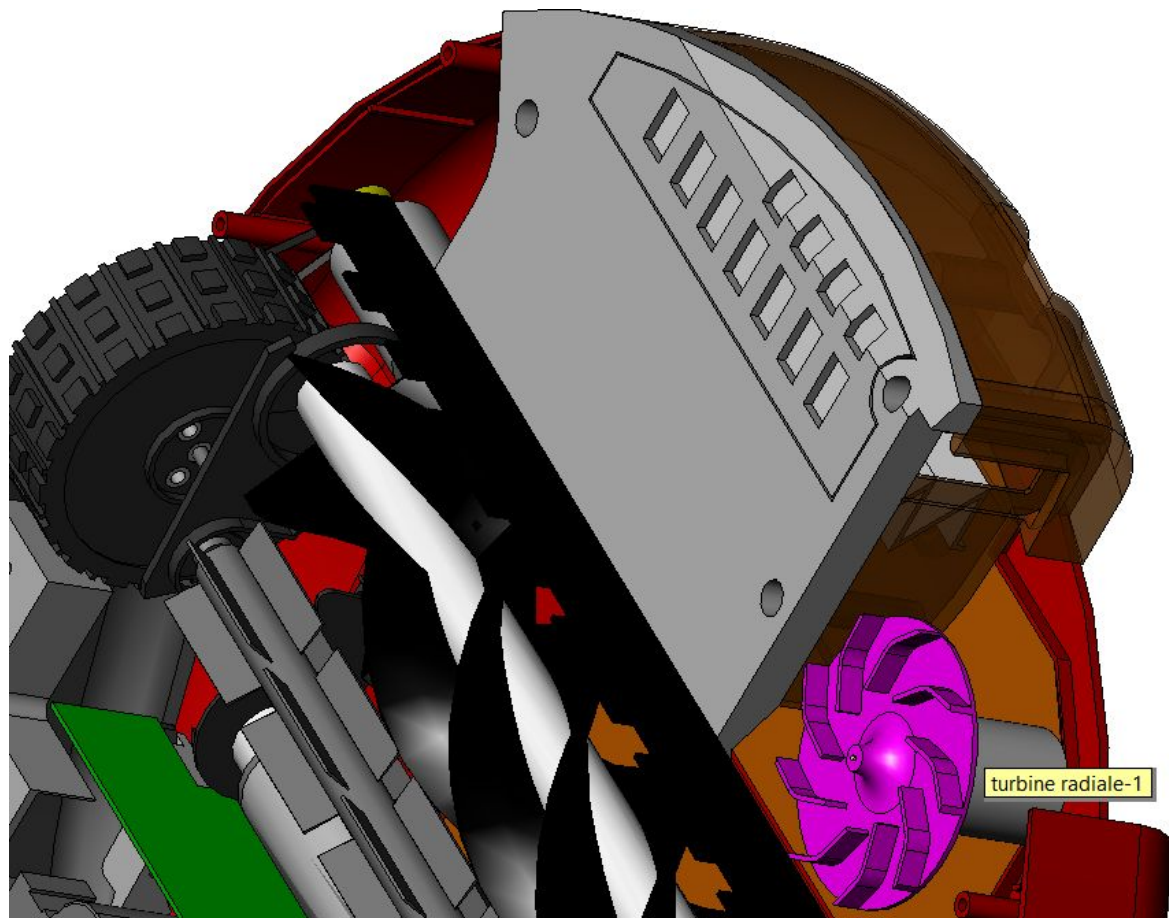


FONCTION

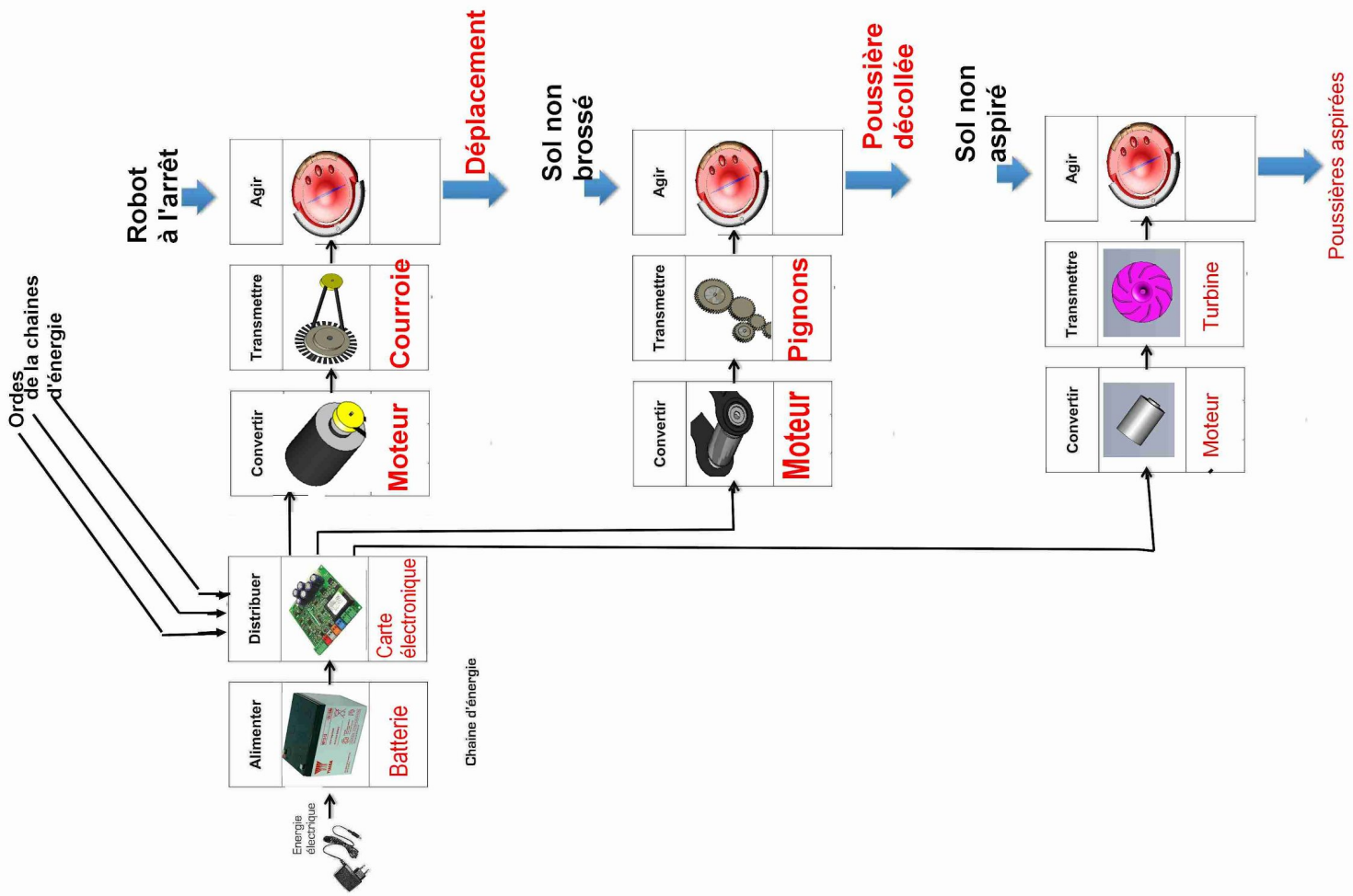


FONCTION

FONCTION



Chaînes d'énergie



FONCTION DE SERVICE

FONCTIONS
TECHNIQUES

SOLUTIONS
TECHNIQUES

NETTOYER LE SOL
AUTOMATIQUEMENT

```
graph LR; A[NETTOYER LE SOL AUTOMATIQUEMENT] --> B1[ ]; A --> B2[ ]; A --> B3[ ]; A --> B4[ ]; B1 --> C1[ ]; B2 --> C2[ ]; B3 --> C3[ ]; B4 --> C4[ ]
```

The diagram illustrates a hierarchical decomposition of a service function. On the left, a large red rounded rectangle contains the text 'NETTOYER LE SOL AUTOMATIQUEMENT'. A vertical line from its right side branches into four horizontal arrows, each pointing to a green rounded rectangle in the middle column. From the right side of each green rectangle, a horizontal arrow points to a blue rounded rectangle in the right column. Above each column is a header box: a red one for 'FONCTION DE SERVICE', a green one for 'FONCTIONS TECHNIQUES', and a blue one for 'SOLUTIONS TECHNIQUES'.